

RENAULT

6 Sealing and soundproofing

65A OPENING ELEMENT SEALING

66A WINDOW SEALING

68A SOUNDPROOFING

X95

APRIL 2009

Edition Anglaise

"The repair methods given by the manufacturer in this document are based on the technical specifications current when it was prepared.

The methods may be modified as a result of changes introduced by the manufacturer in the production of the various component units and accessories from which his vehicles are constructed."

All copyrights reserved by Renault.

The reproduction or translation in part of whole of the present document, as well as the use of the spare parts reference numbering system, are prohibited without the prior written consent of Renault.

MEGANE III - Section 6

Contents

Page

65A OPENING ELEMENT SEALING

Door sealing film: Removal - Refitting 65A-1

Sunroof seal: Removal - Refitting 65A-7

66A WINDOW SEALING

Front side door glass run channel: Removal - Refitting 66A-1

Front door side exterior weather strip: Removal - Refitting 66A-4

Glass run channel in rear side door: Removal - Refitting 66A-6

68A SOUNDPROOFING

Centre floor side soundproofing: Removal - Refitting 68A-1

Centre floor rear soundproofing: Removal - Refitting 68A-3

OPENING ELEMENT SEALING

Door sealing film: Removal - Refitting

65A

REMOVAL

I - REMOVAL PREPARATION OPERATION

B95 or J95 or K95

- ❑ Remove the front side door trim (see **Front side door trim: Removal - Refitting**) (72A, Side opening elements trim) or the rear side door trim (see **Rear side door trim: Removal - Refitting**) (72A, Side opening elements trim).

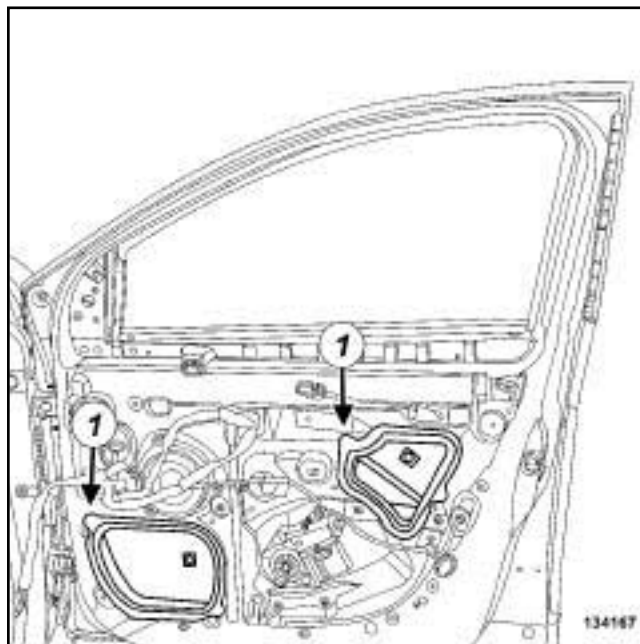
D95

- ❑ Remove the front side door trim (see **Front side door trim: Removal - Refitting**) (72A, Side opening elements trim).

II - OPERATION FOR REMOVAL OF PART CONCERNED

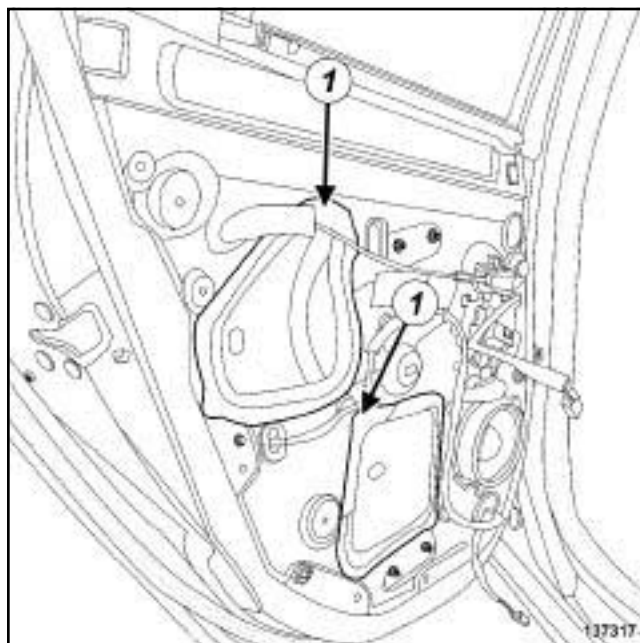
B95

Front door



134167

Rear door



137317

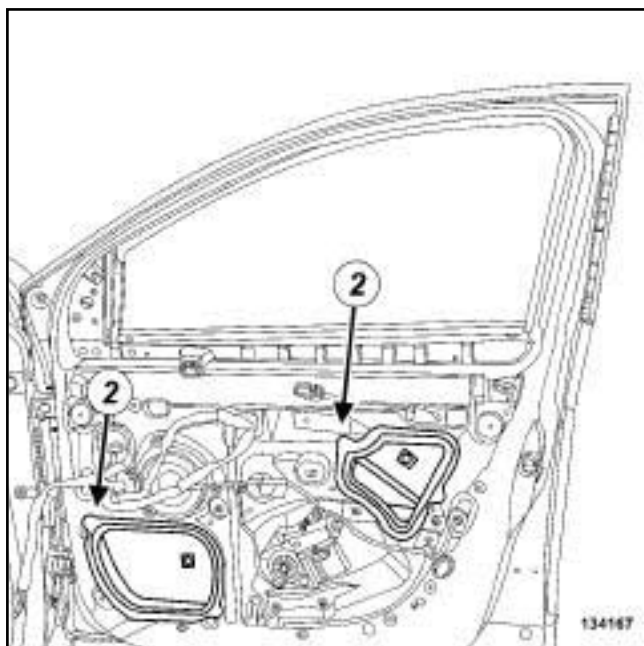
- ❑ Start removing the upper section of the door sealing film (1) .

OPENING ELEMENT SEALING

Door sealing film: Removal - Refitting

65A

D95

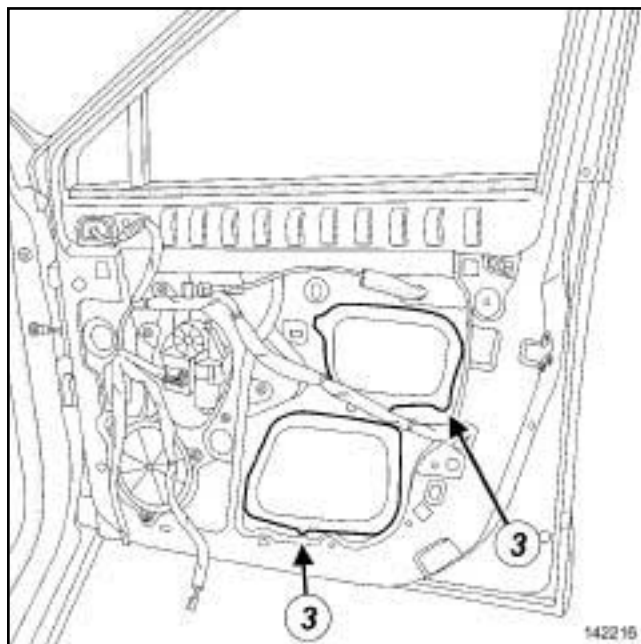


134167

- Start removing the upper section of the door sealing film (2) .

J95

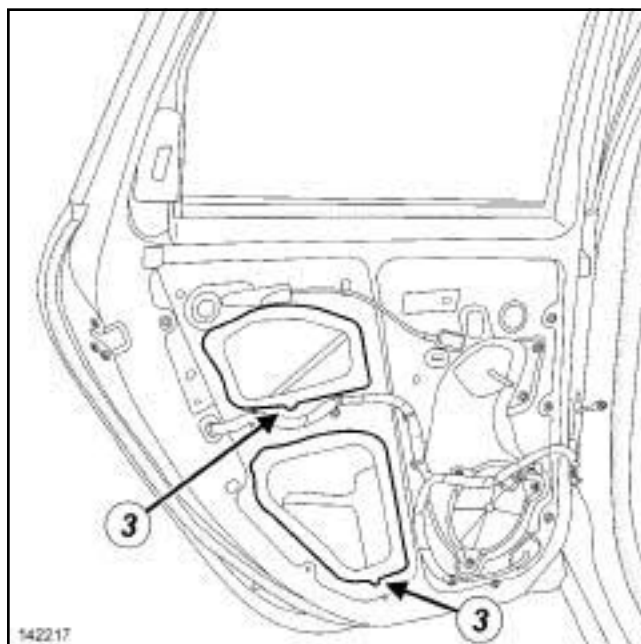
Front door



142216

142216

Rear door



142217

142217

- Start removing the lower section of the door sealing film (3) .

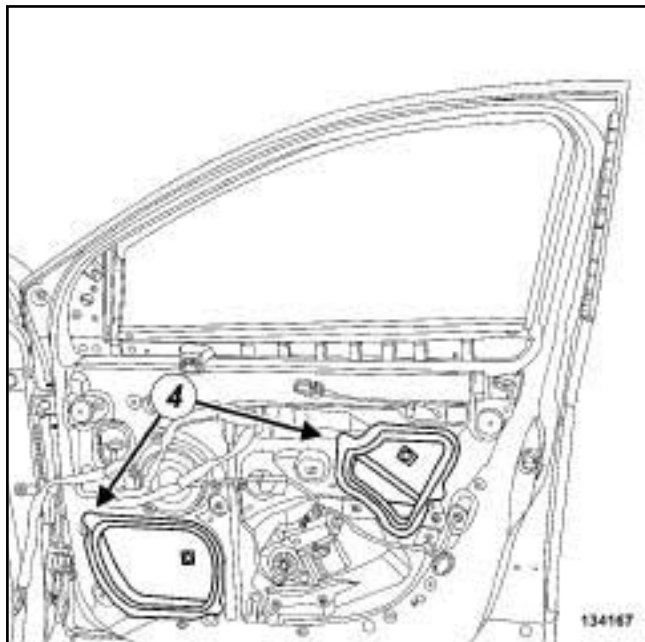
OPENING ELEMENT SEALING

Door sealing film: Removal - Refitting

65A

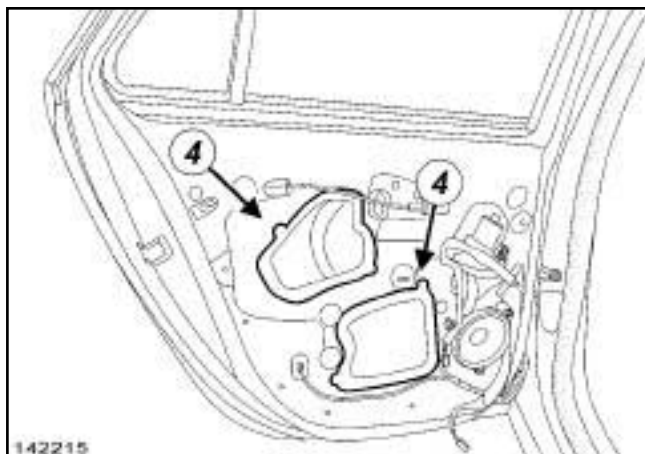
K95

Front door



134167

Rear door



142215

- Start removing the upper section of the door sealing film (4) .

- Carefully remove the mastic bead from the door box section around the edges of the door sealing film.

Note:

If the mastic bead offers too much resistance, use a hot air gun set to approximately **100°C** and held approximately **20 cm** away from the door sealing film to ease its removal.

REFITTING

I - REFITTING PREPARATION OPERATION

- parts always to be replaced: Door sealing film (60,03,02,10).

Note:

Remove the adhesive residue from the door box section by applying wide masking tape over the bonding area. Pull gently on the masking tape to remove any adhesive residue.

Clean the door box section using a **LINT-FREE CLOTH** soaked in **HEPTANE** (see **Vehicle: Parts and consumables for repair**) (04B, Consumables - Products).

WARNING

To ensure the sealing film adheres correctly:

- The door must be clean (free of dust, grease and anti-adhesive products), with no trace of impurities and no condensation,
- The area of the door box section where the film is to be applied must be painted completely,
- There must be a minimum temperature of **15°** on the surfaces which are to be bonded.

OPENING ELEMENT SEALING

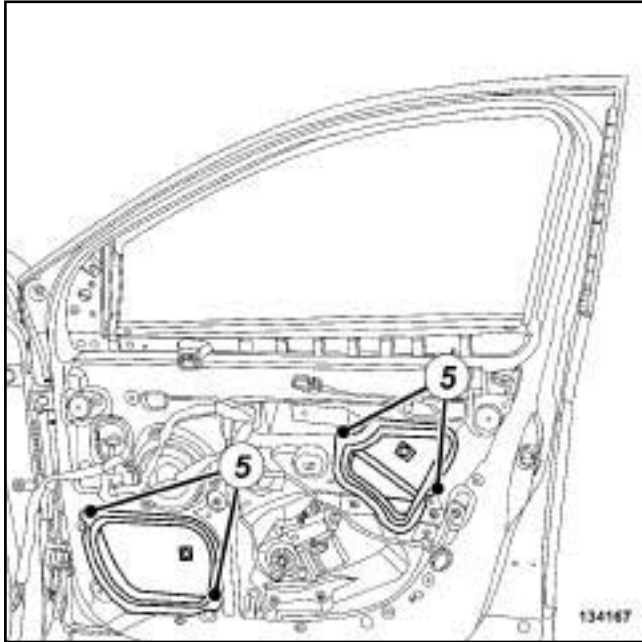
Door sealing film: Removal - Refitting

65A

II - REFITTING OPERATION FOR PART CONCERNED

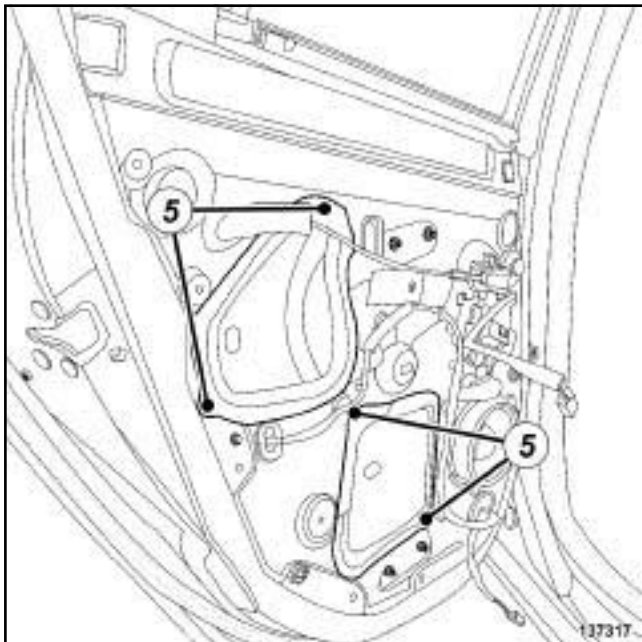
B95

Front door



134167

Rear door



137317

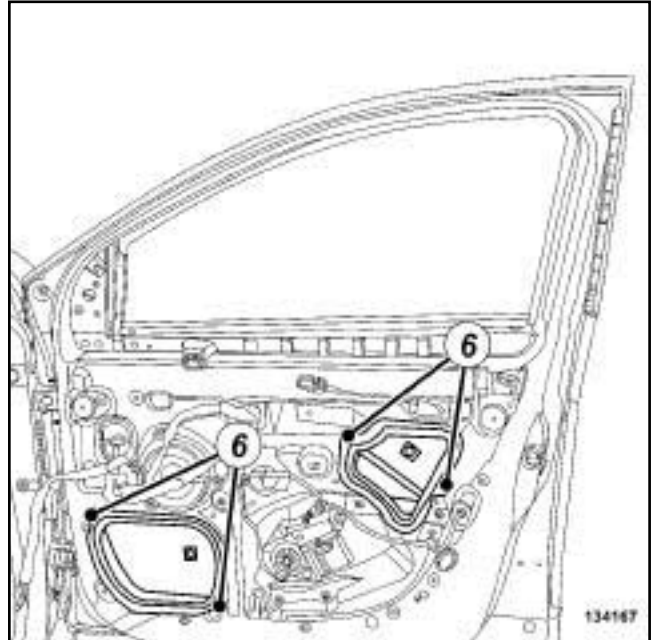
- Remove the paper protecting the door sealing film mastic bead.

Note:

Do not touch the mastic bead.

- Offer up the door sealing film without forcing it, bringing it into contact with the areas shown (5).

D95



134167

- Remove the paper protecting the door sealing film mastic bead.

Note:

Do not touch the mastic bead.

- Offer up the door sealing film without forcing it, bringing it into contact with the areas shown (6).

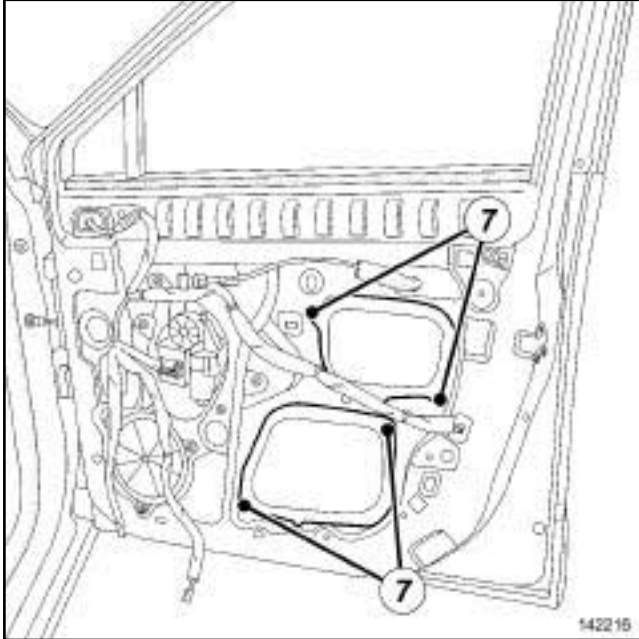
OPENING ELEMENT SEALING

Door sealing film: Removal - Refitting

65A

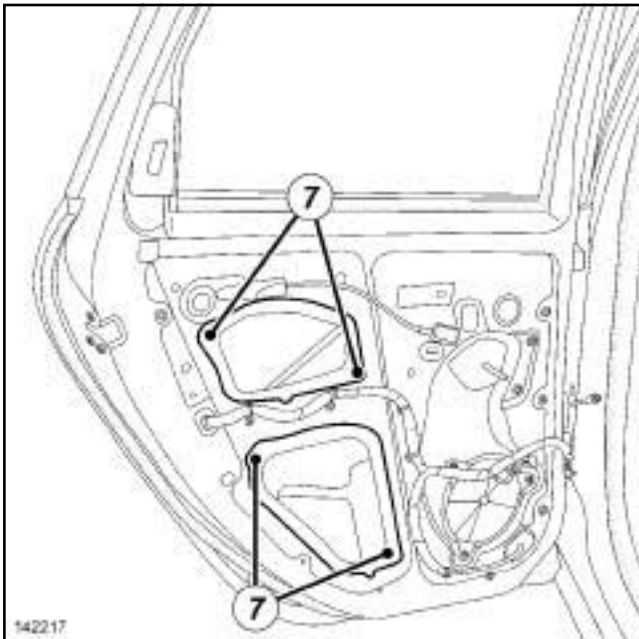
J95

Front door



142216

Rear door



142217

- Remove the paper protecting the door sealing film mastic bead.

Note:

Do not touch the mastic bead.

- Offer up the door sealing film without forcing it, bring-

ing it into contact with the areas shown (7) .

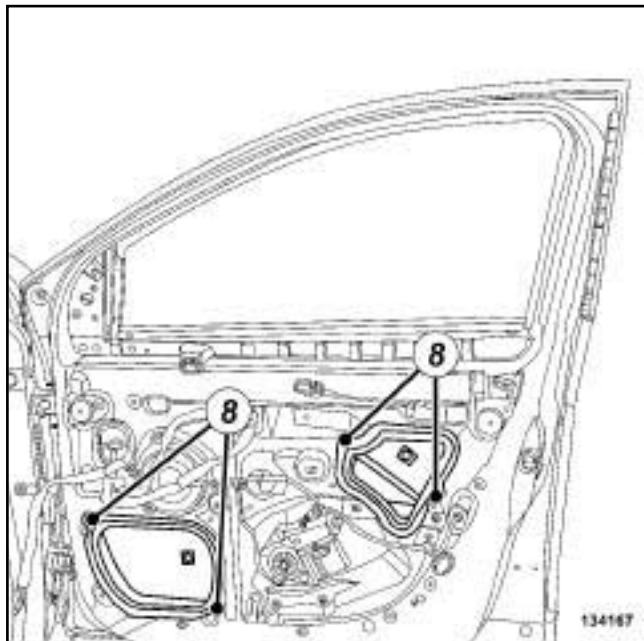
OPENING ELEMENT SEALING

Door sealing film: Removal - Refitting

65A

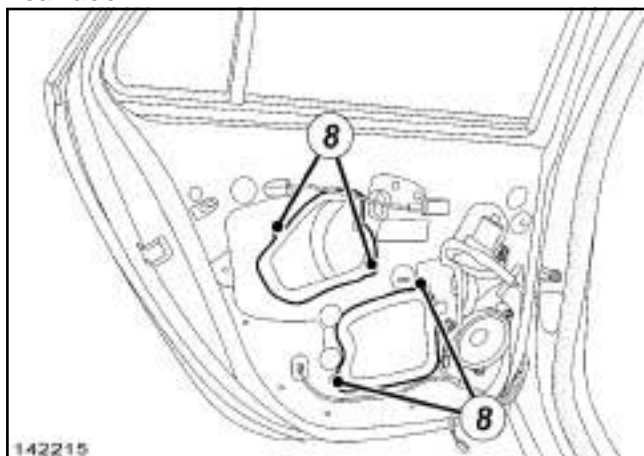
K95

Front door



134167

Rear door



142215

- Remove the paper protecting the door sealing film mastic bead.

Note:

Do not touch the mastic bead.

- Offer up the door sealing film without forcing it, bringing it into contact with the areas shown (8).

- Position the door sealing film correctly around the outside edge without applying any pressure.

- Firmly attach the door sealing film around its entire edge.

III - FINAL OPERATION

- Carry out a sealing test (see **Technical Note 0653A**).

B95 or J95 or K95

- Refit the front side door trim (see **Front side door trim: Removal - Refitting**) (72A, Side opening elements trim) or the rear side door trim (see **Rear side door trim: Removal - Refitting**) (72A, Side opening elements trim).

D95

- Refit the front side door trim (see **Front side door trim: Removal - Refitting**) (72A, Side opening elements trim).

OPENING ELEMENT SEALING

Sunroof seal: Removal - Refitting

65A

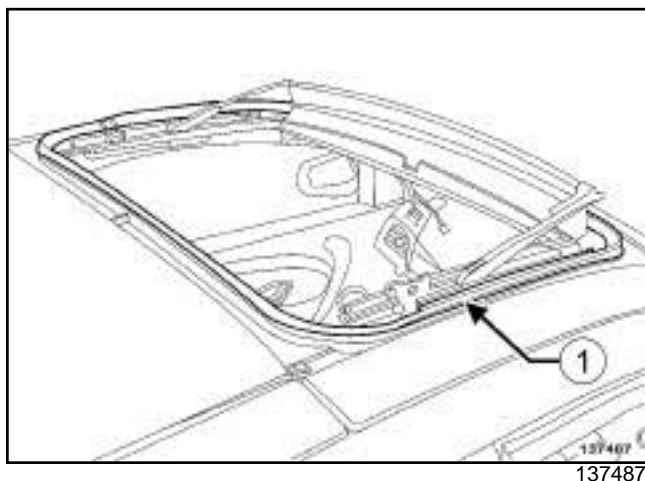
PANORAMIC SUNROOF

REMOVAL

I - REMOVAL PREPARATION OPERATION

- ❑ Remove the mobile sunroof panel (see **Sunroof moving panel: Removal - Refitting**) (52A, Non-side opening element mechanisms).

II - OPERATION FOR REMOVAL OF PART CONCERNED



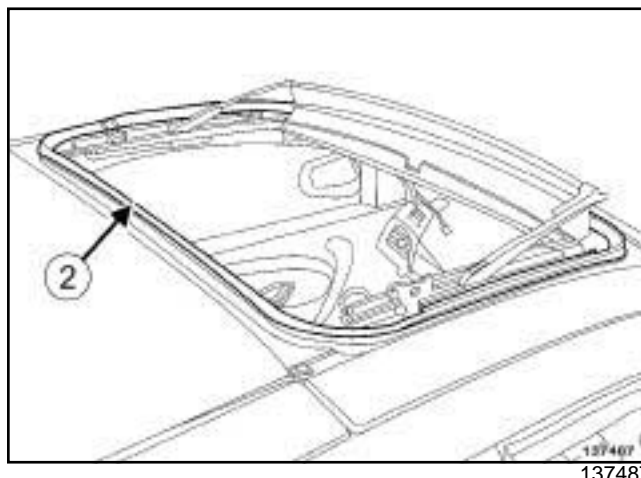
- ❑ Remove the sunroof seal (1) .

REFITTING

I - REFITTING PREPARATION OPERATION

- ❑ **parts always to be replaced: Sunroof seal (60,03, 04,16).**
- ❑ Clean the bonding area with **HEPTANE** (see **Vehicle: Parts and ingredients for the repairwork**) (04B, Consumables - Products).

II - REFITTING OPERATION FOR PART CONCERNED



- ❑ Position the sunroof seal joint at the rear central section (2) .
- ❑ Bond the sunroof seal using **SPECIAL ADHESIVE FOR WINDOWS** (see **Vehicle: Parts and ingredients for the repairwork**) (04B, Consumables - Products).

OPENING ELEMENT SEALING

Sunroof seal: Removal - Refitting

65A

PANORAMIC SUNROOF

III - FINAL OPERATION

- Refit the mobile sunroof panel (see **Sunroof moving panel: Removal - Refitting**) (52A, Non-side opening element mechanisms).
- Apply the sunroof motor manual programming procedure.
- Programming and initialisation procedure:
 - place the button in the sunroof closed position (button fully turned anti-clockwise to the left),
 - keep the centre section of the button pressed: the roof moves to the fully closed stop and is confirmed by a "click",
 - after hearing the "click", keep the button pressed for approximately **1 second**,
 - release the button,
 - keep the button pressed until the roof opens approximately 2/3 of its travel and re-closes completely (wait **5 seconds** before the roof starts to move),
 - release the control,
 - the roof is operational once more.

Note:

If the procedure fails (too much time taken between the two applications of the button or the procedure is interrupted) restart the programming procedure from the beginning.

B95 or D95 or J95 or K95

REMOVAL

I - REMOVAL PREPARATION OPERATION

B95 or D95

- Remove the door mirror (see **Door mirror: Removal - Refitting**) (56A, Exterior equipment).

- Remove:

- the front side door trim (see **Front side door trim: Removal - Refitting**) (72A, Side opening element trim),
- the door sealing film (see **65A, Opening element sealing, Door sealing film: Removal - Refitting**, page 65A-1),
- the front side exterior door weatherstrip (see **66A, Window sealing, Front door side exterior weather strip: Removal - Refitting**, page 66A-4).

- Disconnect the battery (see **Battery: Removal - Refitting**) (80A, Battery).

- Remove the front side door sliding window (see **Sliding window in front side door: Removal - Refitting**) (54A, Windows).

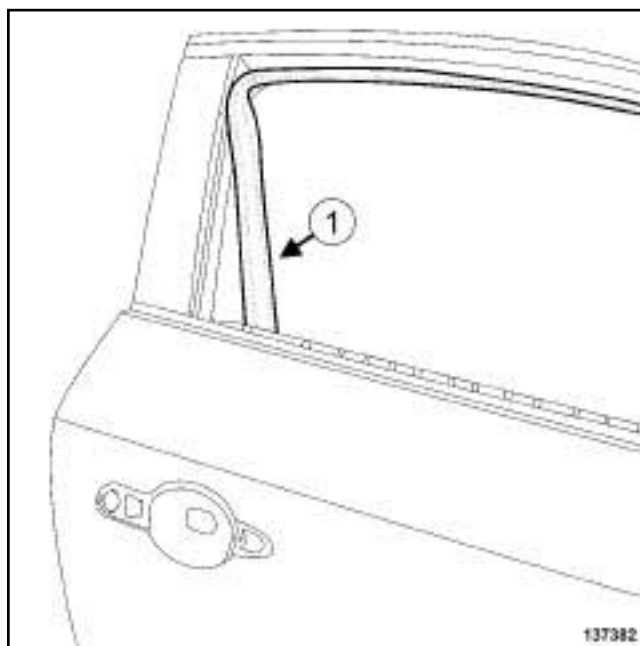
J95

- Remove the front side door fixed window (see **Front side door fixed window: Removal - Refitting**) (54A, Windows).

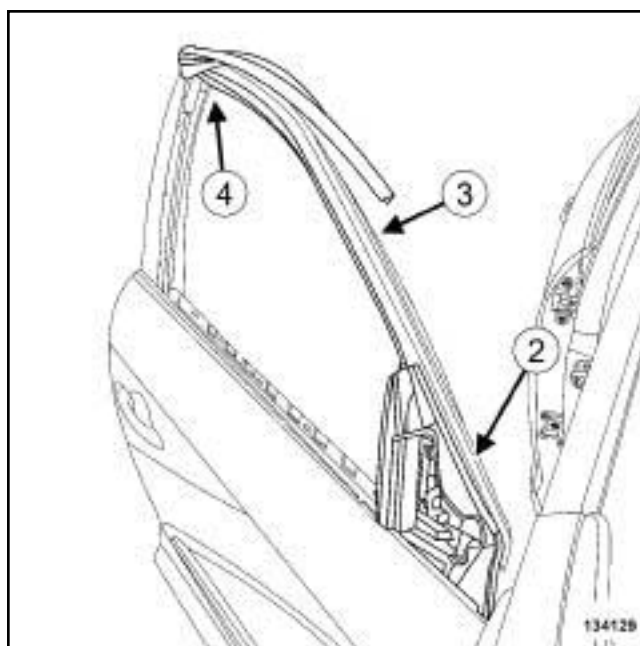
- Remove the front side door pillar exterior trim (see **Front side door pillar exterior trim Removal - Refitting**) (55A, Exterior equipment).

II - OPERATION FOR REMOVAL OF PART CONCERNED

B95 or D95



- Detach the front side door glass run channel (1).



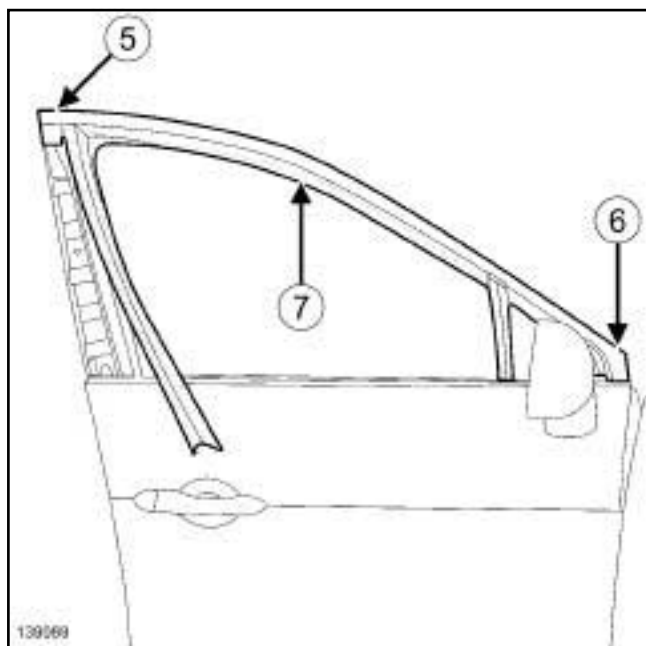
- Detach the front side door glass run channel at (2), (3) and (4).

- Remove the front side door window run channel.

Front side door glass run channel: Removal - Refitting

B95 or D95 or J95 or K95

J95



139069

- Detach the front side door glass run channel at (5) , (6) , and (7) .
- Remove the front side door window run channel.

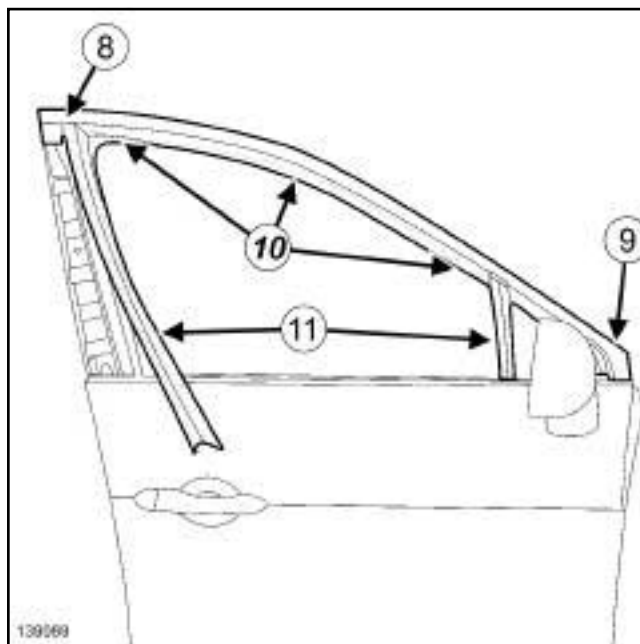
REFITTING

I - REFITTING OPERATION FOR PART CONCERNED

B95 or D95

- Fit the front side door window run channel, starting with the rear upper section (4) .

J95



139069

- Fit the front side door window run channel and leave the end sections (11) hanging free.
- Index at (8) and (9) .
- Fit at (10) and (11) .

- Refit the front side door pillar exterior trim (see **Front side door pillar exterior trim Removal - Refitting**) (55A, Exterior equipment).

B95 or D95

- Fit the front side door window channel centre section (3) , front section (2) and rear section (1) .

II - FINAL OPERATION

J95

- Refit the front side door fixed window (see **Front side door fixed window: Removal - Refitting**) (54A, Windows).

Front side door glass run channel: Removal - Refitting

B95 or D95 or J95 or K95

- Refit:
 - the front side door sliding window (see **Sliding window in front side door: Removal - Refitting**) (54A, Windows),
 - the front side exterior door weatherstrip (see **66A, Window sealing, Front door side exterior weather strip: Removal - Refitting**, page 66A-4) .
- Connect the battery (see **Battery: Removal - Refitting**) (80A, Battery).
- Carry out a function test.
- Refit the sealing film (see **65A, Opening element sealing, Door sealing film: Removal - Refitting**, page 65A-1) .
- Carry out a sealing test (see **Technical Note 0653A**).
- Refit the front side door trim (see **Front side door trim: Removal - Refitting**) (72A, Interior trim).

B95 or D95

- Refit the door mirror (see **Door mirror: Removal - Refitting**) (56A, Exterior equipment).

WINDOW SEALING

66A

Front door side exterior weather strip: Removal - Refitting

Essential special tooling	
Car. 1363	Set of trim removal levers.

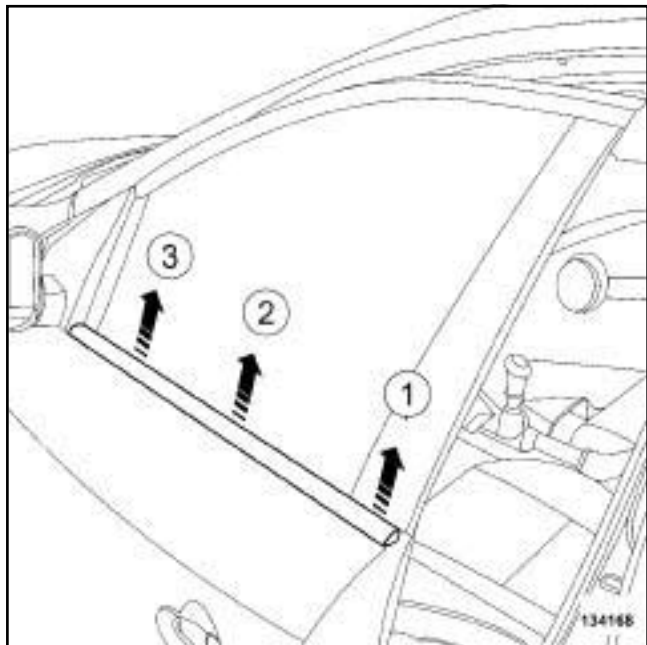
REMOVAL

I - REMOVAL PREPARATION OPERATION

- Lower the front side sliding door window.

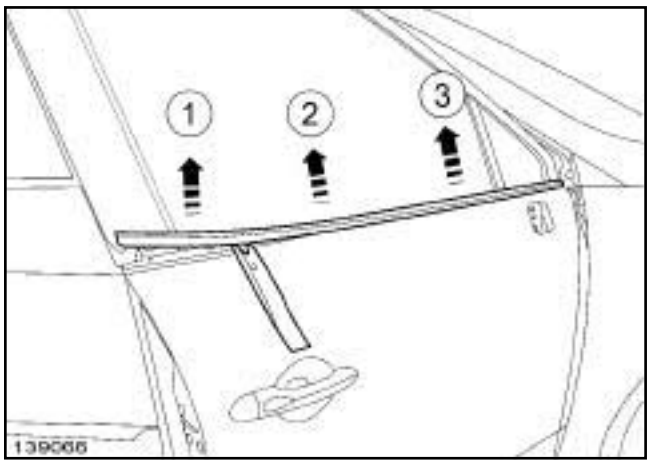
II - OPERATION FOR REMOVAL OF PART CONCERNED

B95 or K95



- Carefully remove the front side door exterior weatherstrip using the tool (**Car. 1363**) in the order shown (1) , (2) and (3) (take care not to damage the part).

J95



- Carefully remove the front side door exterior weatherstrip using the tool (**Car. 1363**) in the order shown (1) , (2) and (3) (take care not to damage the part).

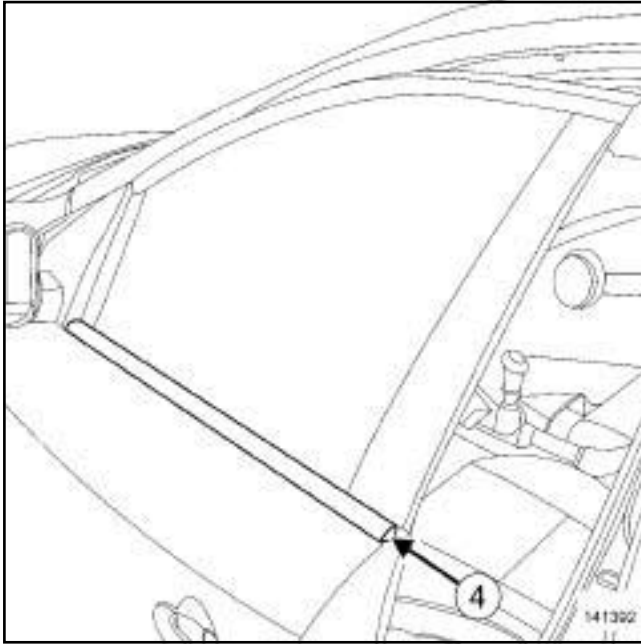
REFITTING

J95

REFITTING PREPARATION OPERATION

- Check the condition of the clips and replace them if necessary.

I - REFITTING OPERATION FOR PART CONCERNED



141392

- Refit the front side door exterior weatherstrip, starting with the rear section (4) .
- Check that the front side exterior door weatherstrip is correctly aligned.

II - FINAL OPERATION

- Fit the front side door sliding window.

B95 or J95 or K95

REMOVAL

I - REMOVAL PREPARATION OPERATION

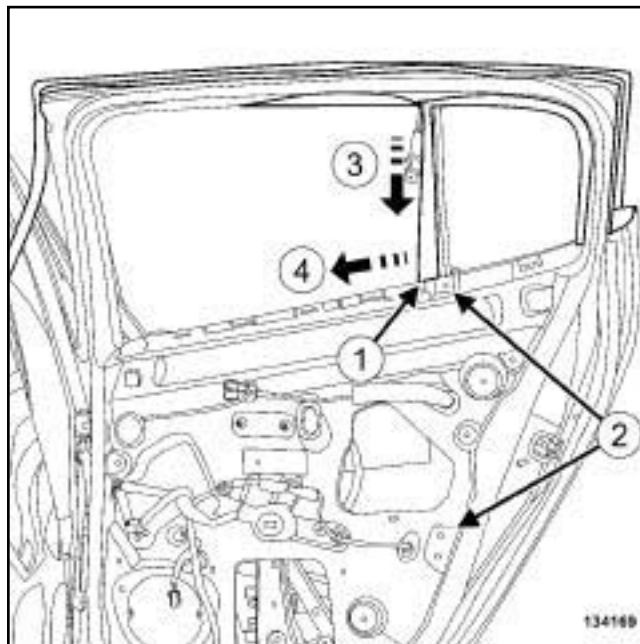
- Lower the rear side sliding door window to the low position.
- Remove:
 - the rear side door trim (see **Rear side door trim: Removal - Refitting**) (72A, Side opening element trim),
 - the door sealing film (see **65A, Opening element sealing, Door sealing film: Removal - Refitting**, page 65A-1) .

B95 or K95

- Remove the rear speaker (see **Rear speakers: Removal - Refitting**) (86A, Radio).
- Remove:
 - the rear side door pillar exterior trim (see **Rear side door pillar exterior trim Removal - Refitting**) (55A, Exterior equipment),
 - the rear side door sliding window (see **Sliding window in rear side door: Removal - Refitting**) (54A, Windows).

II - OPERATION FOR REMOVAL OF PART CONCERNED

B95



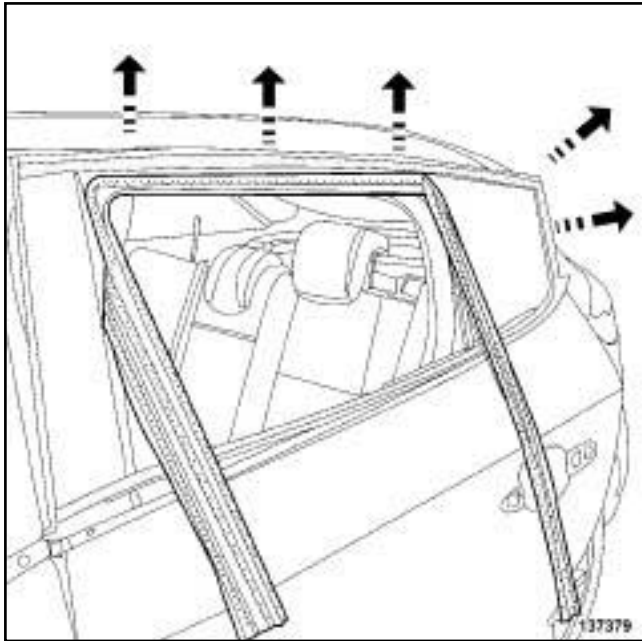
- Detach the rear side door glass run channel at (1) .
- Remove:
 - the bolts (2) ,
 - the fixed window pillar on the rear side door at (3) and (4) .

WINDOW SEALING

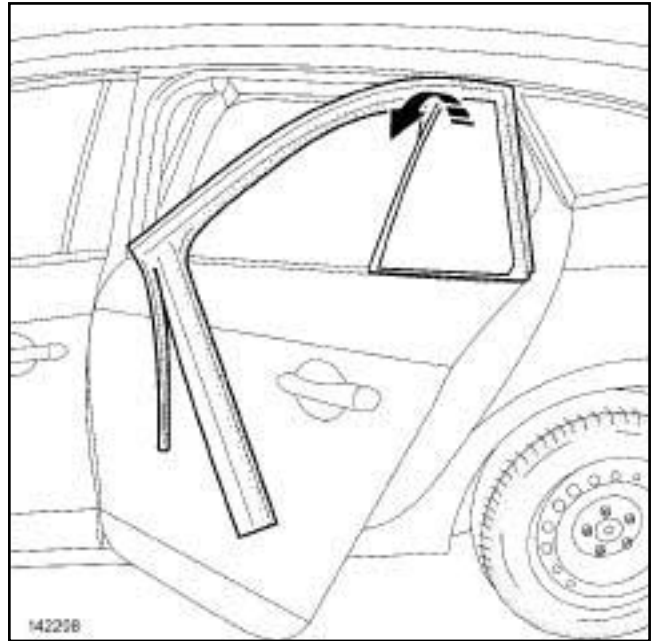
66A

Glass run channel in rear side door: Removal - Refitting

B95 or J95 or K95

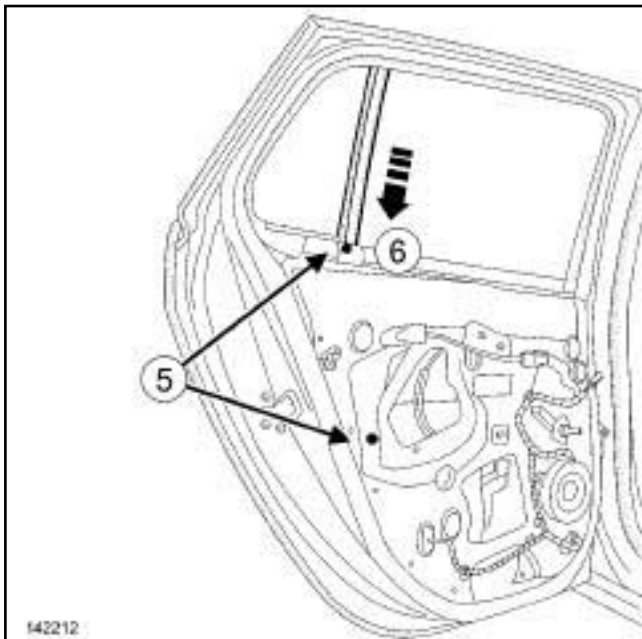


- ❑ Remove the « rear side door glass run channel - fixed window - exterior weatherstrip » assembly.



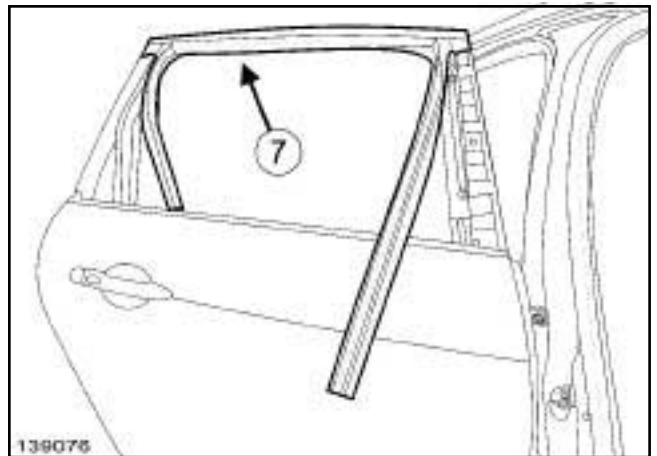
- ❑ Remove the "rear side door glass run channel - fixed window" assembly.

K95



- ❑ Detach the rear side door glass run channel.
- ❑ Remove:
 - the bolts (5) ,
 - the fixed window pillar on the rear side door at (6) .

J95



- ❑ Remove the rear side door glass run channel (7) .

Glass run channel in rear side door: Removal - Refitting

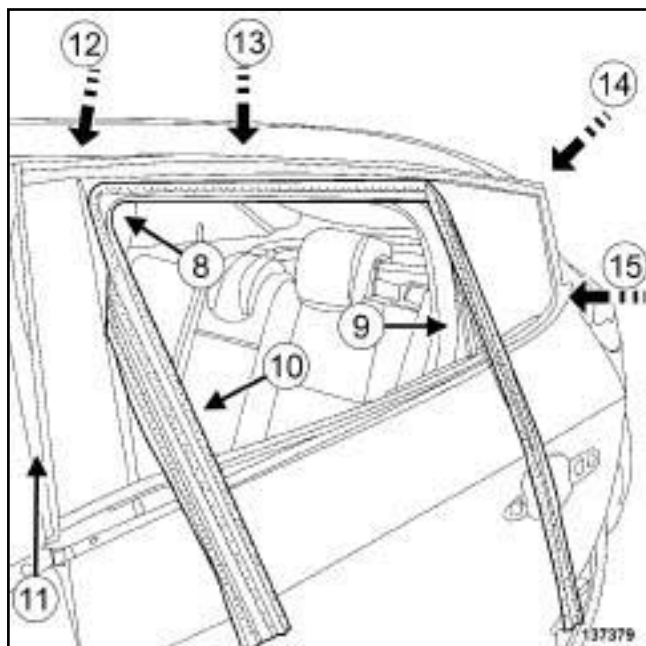
B95 or J95 or K95

REFITTING

I - REFITTING OPERATION FOR PART CONCERNED

B95

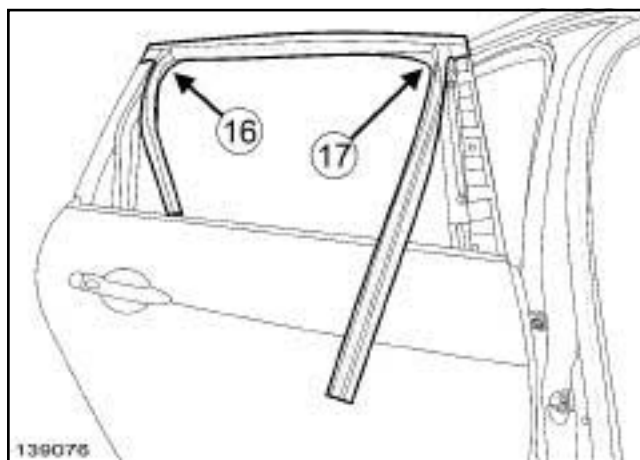
- Refit the « rear side door glass run channel - fixed window - exterior weatherstrip » assembly.



137379

- Fit the rear side door glass run channel at (8) .
- Position the sections (9) , (10) of the rear side glass run channel inside the door box section.
- Fit the rear side door glass run channel at (12) , (13) , (14) and (15) .
- Refit:
 - the fixed window pillar on the rear side door,
 - the bolts (2) .
- Fit the section (9) .

J95



139076

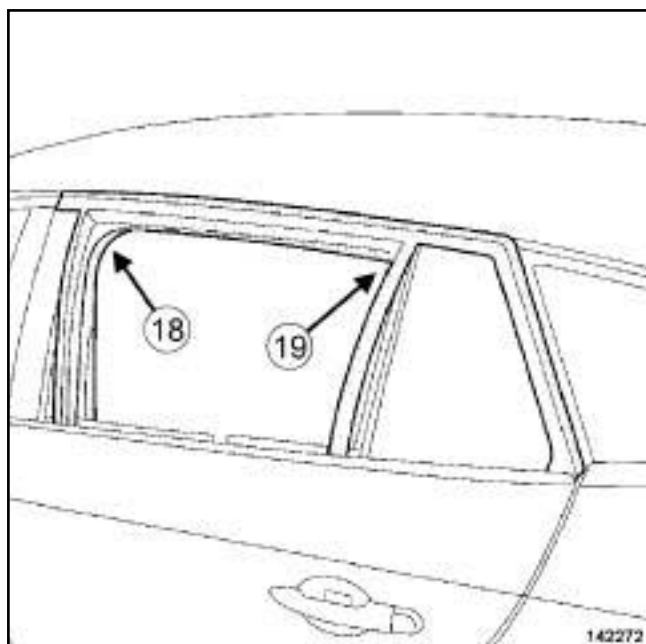
- Fit the rear side door glass run channel at (16) and (17) .
- Position the sections of the rear side glass run channel inside the door box section.
- Fit the front and rear sections of the rear side door glass run channel.

K95

- Refit the « rear side door glass run channel - fixed window » assembly.

Glass run channel in rear side door: Removal - Refitting

B95 or J95 or K95



142272

- Fit:
 - the rear side door glass run channel at (18) and (19) ,
 - the fixed window pillar on the rear side door,
 - the bolts (5) ,
 - the front and rear sections of the rear side door glass run channel.

II - FINAL OPERATION

- Refit:
 - the rear side door sliding window (see **Sliding window in rear side door: Removal - Refitting**) (54A, Windows),
 - the rear side door pillar exterior trim (see **Rear side door pillar exterior trim Removal - Refitting**) (55A, Exterior equipment).

B95 or K95

- Refit the rear speaker (see **Rear speakers: Removal - Refitting**) (86A, Radio).
- Carry out a function test.
- Refit the door sealing film (see **65A, Opening element sealing, Door sealing film: Removal - Refitting**, page 65A-1) .

- Carry out a sealing test (see **Technical Note 0653A**).
- Refit the rear side door trim (see **Rear side door trim: Removal - Refitting**) (72A, Side opening element trim).

Centre floor side soundproofing: Removal - Refitting

B95 or D95

Essential special tooling

Car. 1363 Set of trim removal levers.

REMOVAL

I - REMOVAL PREPARATION OPERATION

- Disconnect the battery (see **Battery: Removal - Refitting**) (80A, Battery).
- Remove:
 - the front seats (see **Complete front seat: Removal - Refitting**) (75A, Front seat frames and runners),
 - the centre console (see **Centre console: Removal - Refitting**) (57A, Interior equipment),

REAR BENCH SEAT

- Remove the rear bench seat base (see **Rear bench seat base: Removal - Refitting**) (76A, Rear seat frames and runners).

REAR BENCH FUNCTION or 1-2/3 REAR BENCH SEAT + ARMREST + N/R SEATBACK

- Remove the rear bench seat base (see **Rear bench seat base: Removal - Refitting**) (76A, Rear seat frames and runners).
- Remove the floor storage compartment and flap (see **Floor flap and storage: Removal - Refitting**) (57A, Interior equipment).

B95

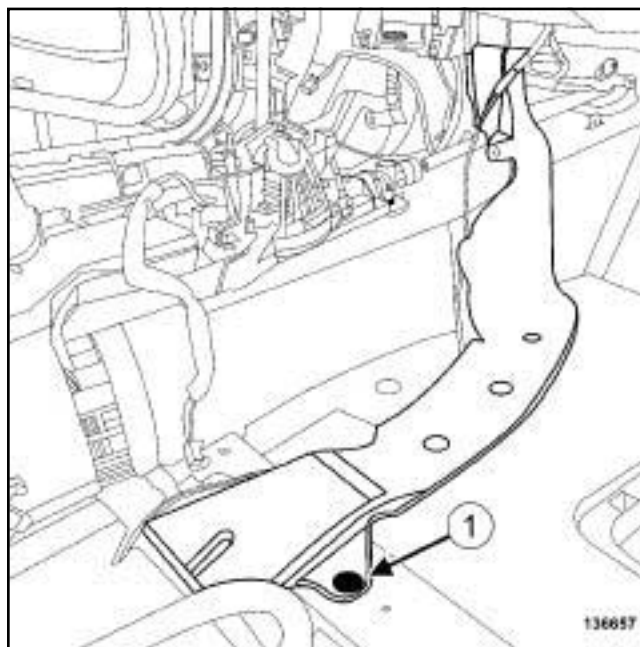
- Remove:
 - the front door sill lining (see **Front door sill lining: Removal - Refitting**) (71A, Body internal trim),
 - the rear inner sill trim (see **Rear door sill lining: Removal - Refitting**) (71A, Body internal trim),
 - the rear inner sill upper trim (see **Rear door sill upper lining: Removal - Refitting**) (71A, Body internal trim),

- the B-pillar lower trim (see **B-pillar lower trim: Removal - Refitting**) (71A, Body internal trim).

D95

- Remove:
 - the door sill lining (see **Door sill lining: Removal - Refitting**) (71A, Body internal trim),
 - the rear panel trim (see **Rear panel trim: Removal - Refitting**) (71A, Body internal trim).
- Remove the floor carpet (see **Floor carpet: Removal - Refitting**) (71A, Body internal trim).

II - OPERATION FOR REMOVAL OF PART CONCERNED

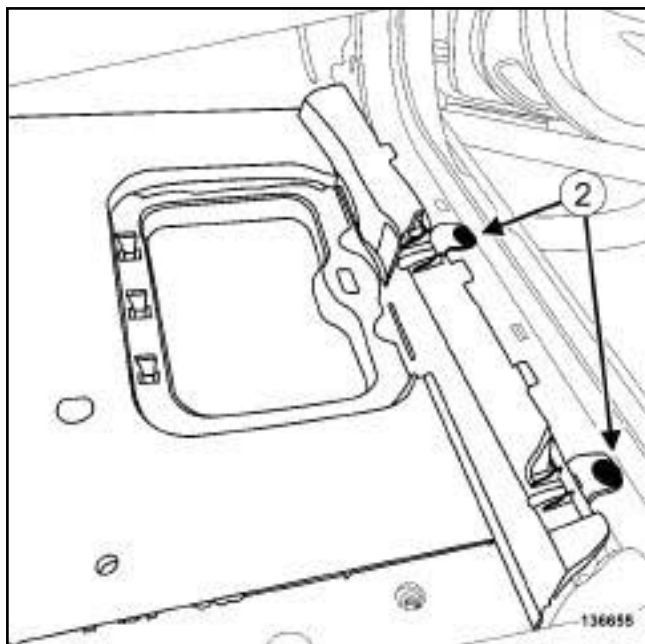


136657

- Remove the clip (1) using the tool (**Car. 1363**).
- Remove the air duct .

Centre floor side soundproofing: Removal - Refitting

B95 or D95



136655

- Remove the clips (2) using the tool (Car. 1363).
- Remove the centre floor side soundproofing.

REFITTING

I - REFITTING OPERATION FOR PART CONCERNED

- Refit:
 - the centre floor side soundproofing,
 - the clips (2) ,
 - air duct ,
 - the clip (1) .

II - FINAL OPERATION

- Refit the floor carpet (see **Floor carpet: Removal - Refitting**) (71A, Body internal trim).

D95

- Refit:
 - the rear panel trim (see **Rear panel trim: Removal - Refitting**) (71A, Body internal trim),
 - the door sill lining (see **Door sill lining: Removal - Refitting**) (71A, Body internal trim).

B95

- Refit:
 - the B-pillar lower trim (see **B-pillar lower trim: Removal - Refitting**) (71A, Body internal trim),
 - the rear inner sill upper trim (see **Rear door sill upper lining: Removal - Refitting**) (71A, Body internal trim),
 - the rear inner sill trim (see **Rear door sill lining: Removal - Refitting**) (71A, Body internal trim),
 - the front sill panel trim (see **Front door sill lining: Removal - Refitting**) (71A, Body internal trim).
- Remove the floor storage compartment and flap (see **Floor flap and storage: Removal - Refitting**) (57A, Interior equipment).

D95, and REAR BENCH FUNCTION or 1-2/3 REAR BENCH SEAT + ARMREST + N/R SEAT BACK

- Refit the rear bench seat base (see **Rear bench seat base: Removal - Refitting**) (76A, Rear seat frames and runners).

D95, and REAR BENCH SEAT

- Refit the rear bench seat base (see **Rear bench seat base: Removal - Refitting**) (76A, Rear seat frames and runners).

 Refit:

- the centre console (see **Centre console: Removal - Refitting**) (57A, Interior equipment),
- the front seats (see **Complete front seat: Removal - Refitting**) (75A, Front seat frames and runners).
- Connect the battery (see **Battery: Removal - Refitting**) (80A, Battery).

Centre floor rear soundproofing: Removal - Refitting

B95 or D95

REMOVAL

I - REMOVAL PREPARATION OPERATION

- Disconnect the battery (see **Battery: Removal - Refitting**) (80A, Battery).
- Remove:
 - the front seats (see **Complete front seat: Removal - Refitting**) (75A, Front seat frames and runners),
 - the centre console (see **Centre console: Removal - Refitting**) (57A, Interior equipment).

REAR BENCH SEAT

- Remove the rear bench seat base (see **Single unit rear bench seat: Removal - Refitting**) (76A, Rear seat frames and runners).

REAR BENCH FUNCTION or 1-2/3 REAR BENCH SEAT + ARMREST + N/R SEATBACK

- Remove the rear bench seat base (see **1/3 and 2/3 rear bench seat: Removal - Refitting**) (76A, Rear seat frames and runners).
- Remove the floor storage compartment and flap (see **Floor flap and storage: Removal - Refitting**) (57A, Interior equipment).

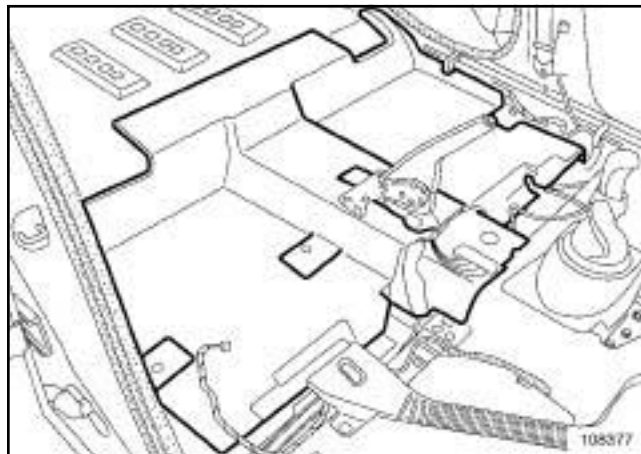
B95

- Remove:
 - the front door sill lining (see **Front door sill lining: Removal - Refitting**) (71A, Body internal trim),
 - the rear inner sill trim (see **Rear door sill lining: Removal - Refitting**) (71A, Body internal trim),
 - the rear inner sill upper trim (see **Rear door sill upper lining: Removal - Refitting**) (71A, Body internal trim),
 - the B-pillar lower trim (see **B-pillar lower trim: Removal - Refitting**) (71A, Body internal trim).

D95

- Remove:
 - the door sill lining (see **Door sill lining: Removal - Refitting**) (71A, Body internal trim),
 - the rear panel trim (see **Rear panel trim: Removal - Refitting**) (71A, Body internal trim).
- Remove the floor carpet (see **Floor carpet: Removal - Refitting**) (71A, Body internal trim).

II - OPERATION FOR REMOVAL OF PART CONCERNED



108377

- Remove the rear floor soundproofing.

REFITTING

I - REFITTING OPERATION FOR PART CONCERNED

- Refit the rear floor soundproofing.

II - FINAL OPERATION

- Refit the floor carpet (see **Floor carpet: Removal - Refitting**) (71A, Body internal trim).

D95

- Refit:
 - the rear panel trim (see **Rear panel trim: Removal - Refitting**) (71A, Body internal trim),

Centre floor rear soundproofing: Removal - Refitting

B95 or D95

- the door sill lining (see **Door sill lining: Removal - Refitting**) (71A, Body internal trim).

B95

- Refit:
 - the B-pillar lower trim (see **B-pillar lower trim: Removal - Refitting**) (71A, Body internal trim),
 - the rear inner sill upper trim (see **Rear door sill upper lining: Removal - Refitting**) (71A, Body internal trim),
 - the rear inner sill trim (see **Rear door sill lining: Removal - Refitting**) (71A, Body internal trim),
 - the front door sill lining (see **Front door sill lining: Removal - Refitting**) (71A, Body internal trim),
 - the floor storage compartment and flap (see **Floor flap and storage: Removal - Refitting**) (57A, Interior equipment).

REAR BENCH SEAT

- Refit the single unit rear bench seat base (see **Single unit rear bench seat: Removal - Refitting**) (76A, Rear seat frames and runners).

REAR BENCH FUNCTION or 1-2/3 REAR BENCH SEAT + ARMREST + N/R SEATBACK

- Refit the rear bench seat base (see **1/3 and 2/3 rear bench seat: Removal - Refitting**) (76A, Rear seat frames and runners).
- Refit:
 - the centre console (see **Centre console: Removal - Refitting**) (57A, Interior equipment),
 - the front seats (see **Complete front seat: Removal - Refitting**) (75A, Front seat frames and runners).
- Connect the battery (see **Battery: Removal - Refitting**) (80A, Battery).